

2.3 Cleaning

To avoid print quality problems, the following printer parts must be cleaned with every toner container replacement. In addition, the charger wire and paper feed unit should be cleaned from time to time, or whenever print quality problems occur.

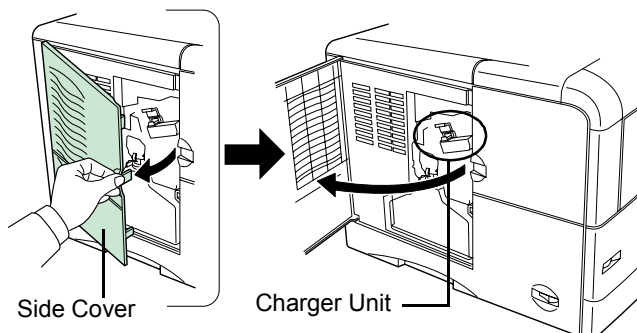


If the toner container was replaced when **Replace toner Clean printer was displayed**, **Clean printer Press GO** will appear after replacement. After cleaning the inside of the printer following the procedure shown below, press the GO key; the message will disappear and the printer will be ready for printing.

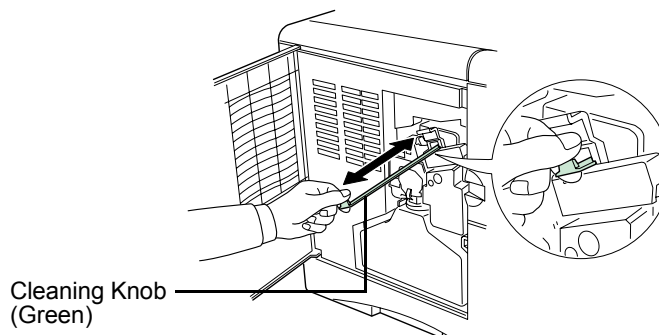
2.3.1 Cleaning the Charger Wire

The charger wire is a part in the drum unit that needs to be periodically cleaned. You can clean the charger wire by pulling the cleaning knob as instructed below.

- 1 Open the side cover on the left side of the printer.



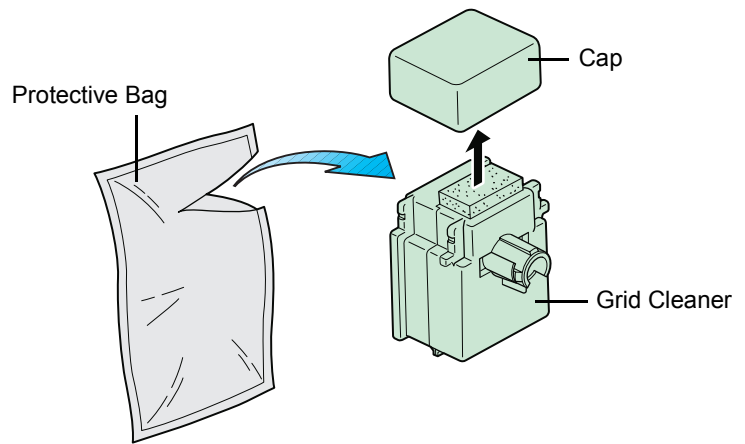
- 2 Pull the cleaning knob (green colored) slowly in and out a few times. This cleans charger wire inside the printer.



2.3.2 Cleaning the Charger Grid

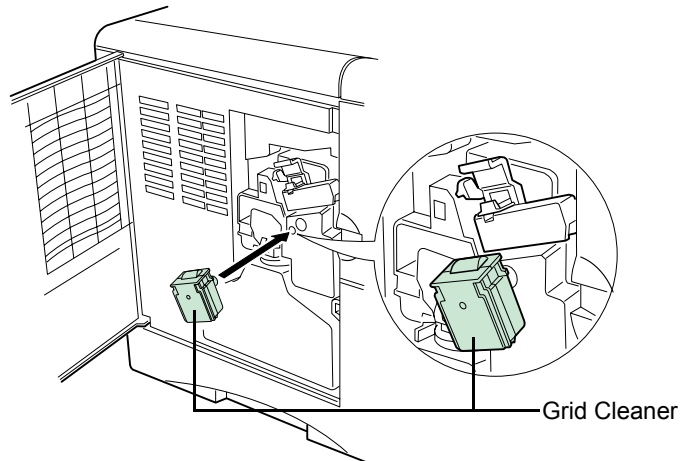
The charger grid is a part located at the bottom of the charger unit, which also needs to be cleaned. You should use a grid cleaner attaching it to the printer and pull out the charger unit as instructed below.

- 1 Take the grid cleaner from protective bag in the new toner kit, and remove the cap.



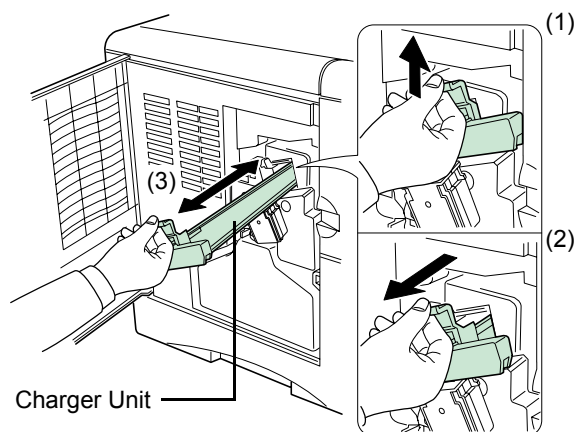
The grid cleaner pad is supplied with water soaked. Perform the following procedure before the pad dries.

- 2 Attach the grid cleaner to the printer with the pad at the top, as shown in the figure.

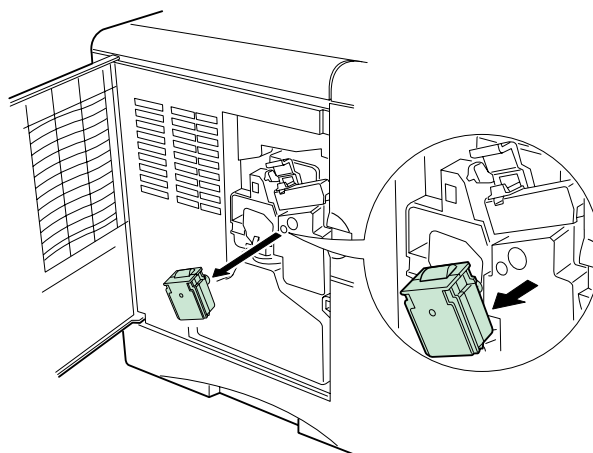


- 3** Slowly pull out and then push back in the charger unit at least 5 times. It is easier to pull out the charger unit for the first time if it is raised slightly, as shown in the figure.

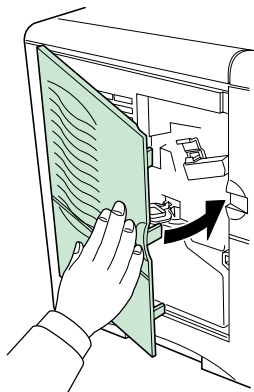
This cleans grid part underneath the charger unit.



- 4** Remove the grid cleaner from the printer and dispose of it. The grid cleaner is not re-usable.



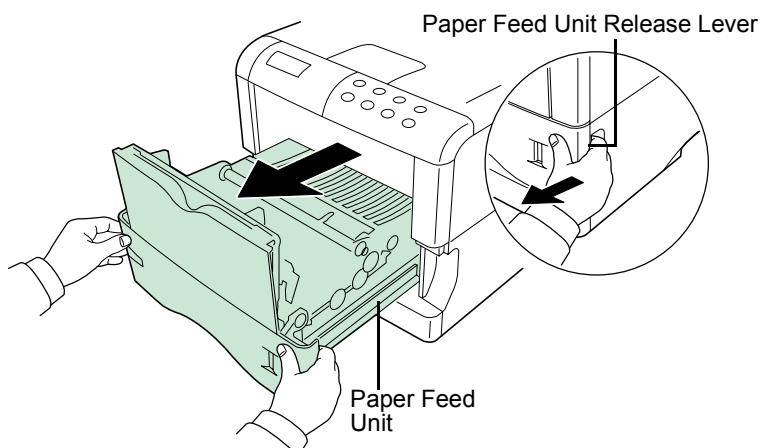
- 5 After cleaning the charger wire and grid, push the charger unit all the way in and close the side cover.



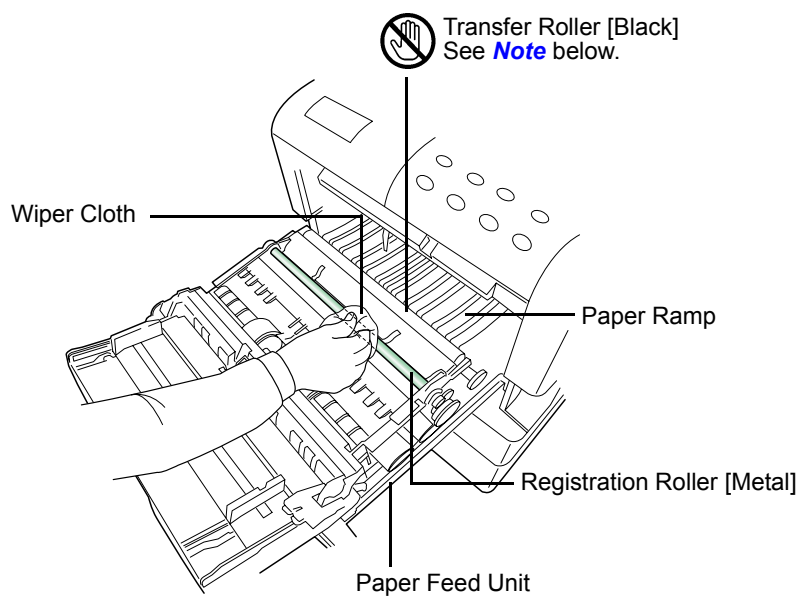
2.3.3 Paper Feed Unit

To avoid print quality problems due to paper dust and debris, clean the paper feed unit in the following manner.

- 1 While pulling the paper feed unit release lever, pull out the paper feed unit.



- 2 Wipe away the paper dust on the registration roller and the paper ramp using the wiper cloth included in the toner kit.



Note

Be careful not to touch the transfer roller (the black roller) during cleaning as this may adversely affect print quality.